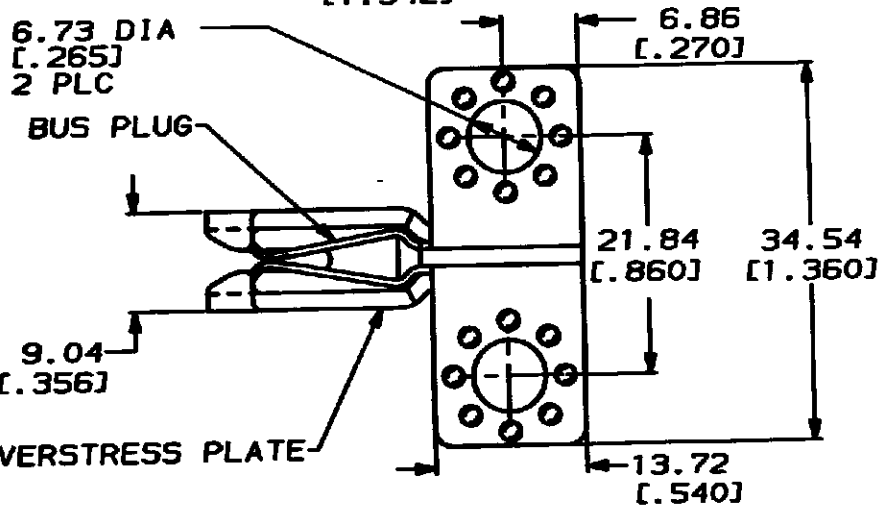
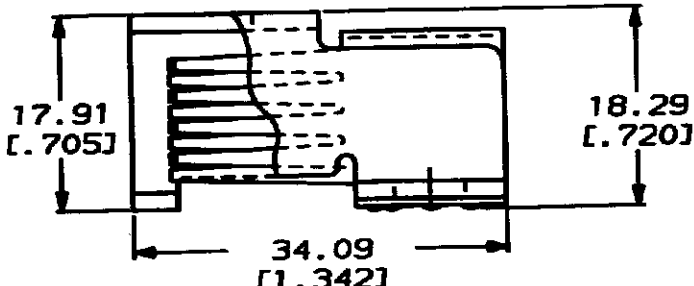


DRAWING MADE IN THIRD ANGLE PROJECTION

LOC	DIST	P	F	REVISIONS			
				LTR	DESCRIPTION	DATE	APPROVED
BG	5			F	REVISION PER B6648	04/92	<i>[Signature]</i>

THIS DRAWING IS UNPUBLISHED. RELEASED FOR PUBLICATION BY AMP OF CANADA LTD. ALL INTERNATIONAL RIGHTS RESERVED. © COPYRIGHT 19



ANTI-OVERSTRESS PLATE

1. PARTS ASSEMBLED AS SHOWN
2. ALL DIMENSIONS REFERENCE ONLY

METRIC

104729-1

PART NO

DO NOT SCALE PRINT. UNLESS SPECIFIED DIMENSIONS IN mm (1/16) TOLERANCES ON:	DR 2-28-80 6 BUSHY
2 PLC DEC * -	CHK 6.6.88/WH
3 PLC DEC * -	APPD -
ANGLES * -	APPD -
MATERIAL	PRODUCT SPEC
BUS PLUG, COPPER ALLOY	108-1380
ANTI-OVERSTRESS PLATE, S.S.	APPLICATION SPEC
	114-2130
FINISH	WEIGHT -
BUS PLUG: Ag/Ni	
ANTI-OVERSTRESS PLATE: PASSIVATED	

AMP AMP of CANADA Ltd. Markham, Ont.		
NAME AMP PDS 062F BUS PLUG W/GUIDE		
SIZE A	GAME CODE 09482	DRAWING NO 104729
SCALE NTS	SHEET 1 of 1	

AMP 1488-32 REV 11-88

CUSTOMER DRAWING